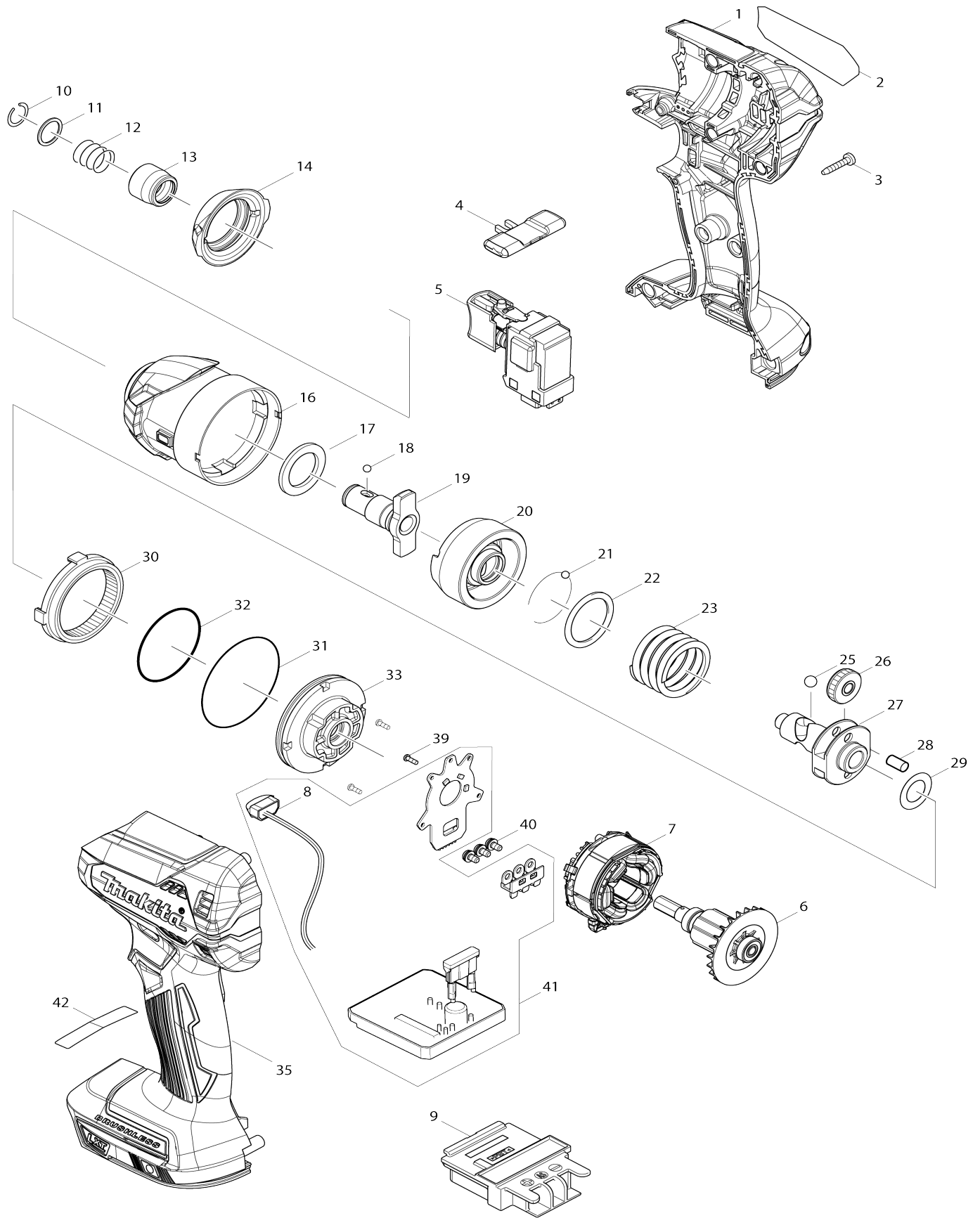


Model No.DTD153 CORDLESS IMPACT DRIVER

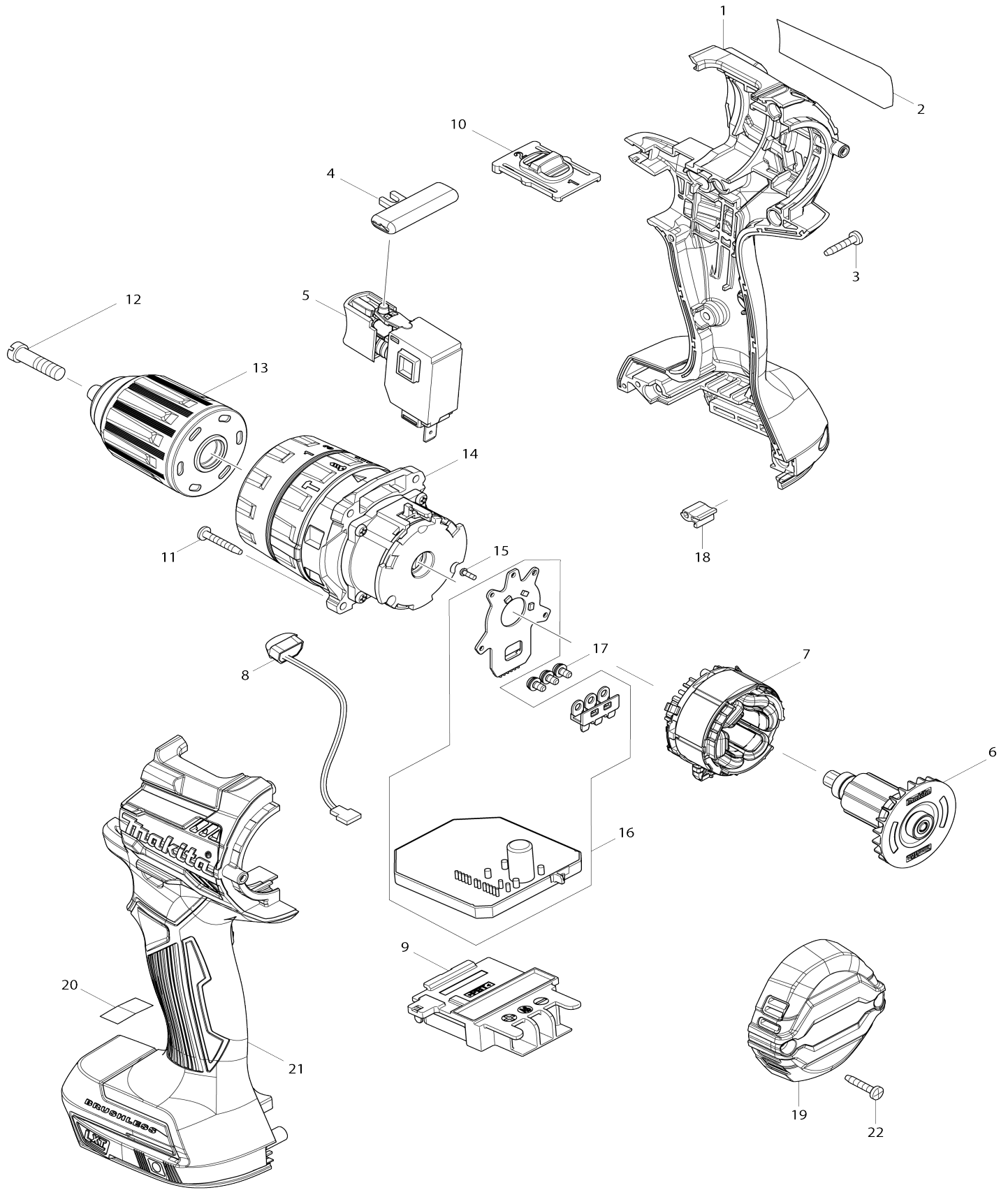


Model No.DTD153 CORDLESS IMPACT DRIVER

Item No.	Parts No.	Description
001	183E35-7	HOUSING SET
C10	263005-3	RUBBER PIN 6
C20	252126-6	HEX. LOCK NUT M4-7
001		INC. 35
002	852K79-1	DTD153 NAME PLATE
002-1	857L39-4	DTD153 NAME PLATE
003	266429-2	TAPPING SCREW 3X16
003-1	266130-9	TAPPING SCREW BIND PT 3X16
004	455053-8	F/R CHANGE LEVER
005	143975-1	SWITCH COMPLETE
005-1	141N42-0	SWITCH COMPLETE
006	619404-1	ROTOR
006-1	619404-1	ROTOR
007	629224-5	STATOR
008	620557-1	LED CIRCUIT
009	643860-3	TERMINAL
010	231951-8	RING SPRING 11
011	267085-1	FLAT WASHER 12
012	233005-7	COMPRESSION SPRING 13
013	326072-0	BIT SLEEVE
014	424888-8	BUMPER
016	143957-3	HAMMER CASE COMPLETE
017	261151-6	NYLON WASHER 19
018	216040-0	STEEL BALL 3.5
019	326565-7	ANVIL M
020	326564-9	HAMMER
021	216040-0	STEEL BALL 3.5
022	267175-0	FLAT WASHER 24
023	234251-5	COMPRESSION SPRING 25
025	216041-8	STEEL BALL 5.6
026	227362-3	SPUR GEAR 22
027	326562-3	SPINDLE
028	256253-1	PIN 5
029	253314-8	THIN WASHER 15
030	227378-8	INTERNAL GEAR 51
031	213606-7	O RING 48
032	213507-9	O RING 40
033	143958-1	BEARING BOX COMPLETE
035	183E35-7	HOUSING SET
C10	263005-3	RUBBER PIN 6
C20	252126-6	HEX. LOCK NUT M4-7
035		INC. 1
039	266490-9	TAPPING SCREW PT 2X6
039-1	265C47-1	TAPPING SCREW PT 2X6
040	652069-6	FLAT HEAD SCREW M3X6
041	620563-6	CONTROLLER
041		INC. 8

041-1	620J73-3	CONTROLLER
041-1		INC. 8
041-2	620563-6	CONTROLLER
041-2		INC. 8
043	857L40-9	DTD153 SERIAL NO. LABEL
A01	266622-8	+ TRUSS HEAD SCREW M4X12
A02	346317-0	HOOK
A03	450128-8	BATTERY COVER
A04	***DC18RC	DC18RC FAST CHARGER
A04		COMPO-PARTS
A05	197600-6	BATTERY BL1830B SET
A05	197280-8	BATTERY BL1850B SET
A05-1	197600-6	BATTERY BL1830B SET
A05-1	197280-8	BATTERY BL1850B SET
A06	141856-3	PLASTIC CARRYING CASE COMPLETE
C10	162302-3	LATCH
F02	194281-7	STOPPER SET (W/BITS)
F04	194649-7	BATTERY PROTECTOR
F05	194654-4	HOOK SET
F06-1	197043-2	TOOL HANGER SET

Model No.DHP484 CORDLESS HAMMER DRIVER DRILL



Model No.DHP484 CORDLESS HAMMER DRIVER DRILL

Item No.	Parts No.	Description
001	183E71-3	HOUSING SET
C10	263005-3	RUBBER PIN 6
C20	252126-6	HEX. LOCK NUT M4-7
001		INC. 21
001-1	183L79-9	HOUSING SET
C10	263005-3	RUBBER PIN 6
C20	252126-6	HEX. LOCK NUT M4-7
C21	252303-0	HEX. LOCK NUT M4-7
001-1		INC. 21
002	852L96-7	DHP484 NAME PLATE
003	266429-2	TAPPING SCREW 3X16
003-1	266130-9	TAPPING SCREW BIND PT 3X16
004	419041-9	F/R CHANGE LEVER
005	650710-5	SWITCH C3JW-4B
005-1	650006-4	SWITCH TGRK2-1
006	619406-7	ROTOR
006-1	619406-7	ROTOR
007	629225-3	STATOR
008	620549-0	LED CIRCUIT
009	643874-2	TERMINAL
010	123738-1	SPEED CHANGE LEVER ASSEMBLY
C10	233438-6	COMPRESSION SPRING 4
011	251497-8	TAPPING SCREW 3X20
011-1	265D32-0	TAPPING SCREW 3X20
012	251468-5	- FLAT HEAD SCREW M6X22
013	766027-7	KEYLESS DRILL CHUCK 13
014	123736-5	GEAR ASSEMBLY
014-1	123953-7	GEAR ASSEMBLY
014-2	126729-1	GEAR ASSEMBLY
014-3	127499-5	GEAR ASSEMBLY
015	266490-9	TAPPING SCREW PT 2X6
015-1	265C47-1	TAPPING SCREW PT 2X6
016	620548-2	CONTROLLER
017	652069-6	FLAT HEAD SCREW M3X6
018	424517-3	CUSHION
019	456967-4	REAR COVER
021	183E71-3	HOUSING SET
C10	263005-3	RUBBER PIN 6
C20	252126-6	HEX. LOCK NUT M4-7
021		INC. 1
021-1	183L79-9	HOUSING SET
C10	263005-3	RUBBER PIN 6
C20	252126-6	HEX. LOCK NUT M4-7
C21	252303-0	HEX. LOCK NUT M4-7
021-1		INC. 1
022	266429-2	TAPPING SCREW 3X16
022-1	266130-9	TAPPING SCREW BIND PT 3X16

A01	251314-2	+ TRUSS HEAD SCREW M4X12
A02	346317-0	HOOK
A02	346449-3	HOOK
A03	784637-8	+ - BIT 2-45
A04	158597-4	PLASTIC CASE COMPLETE
C10	417724-5	LATCH
A05	450128-8	BATTERY COVER
A06	***DC18RC	DC18RC FAST CHARGER
A06		COMPO-PARTS
A07	197600-6	BATTERY BL1830B SET
A07	197265-4	BATTERY BL1840B SET
A07	197280-8	BATTERY BL1850B SET
A07-1	197600-6	BATTERY BL1830B SET
A07-1	197265-4	BATTERY BL1840B SET
A07-1	197280-8	BATTERY BL1850B SET
A08	196235-0	BATTERY BL1815N SET
F05	191E41-8	GRIP ASSEMBLY SET